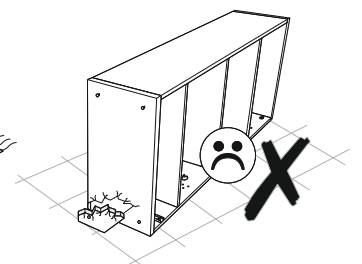
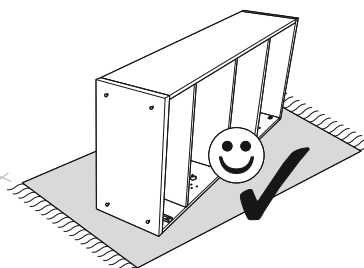
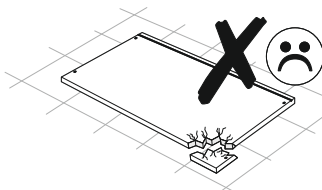
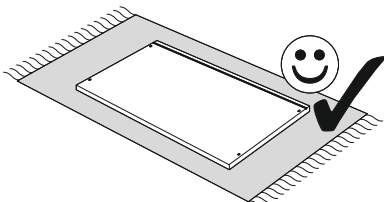
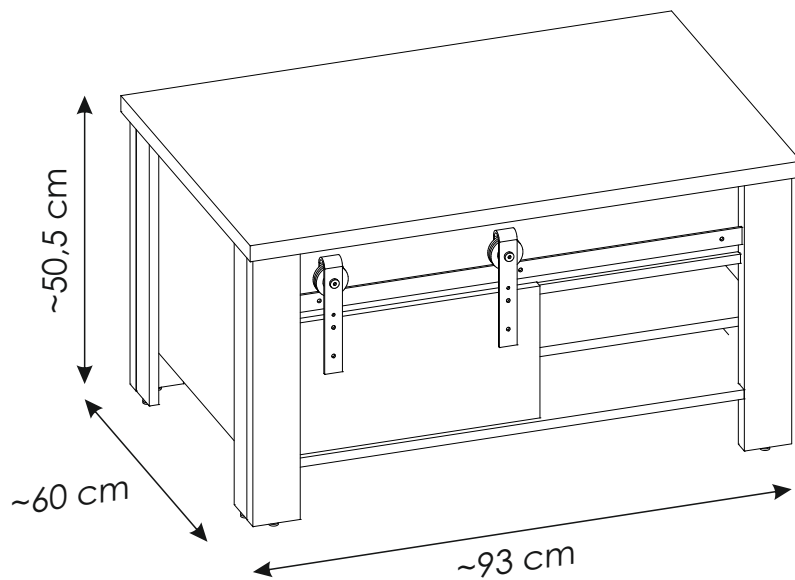
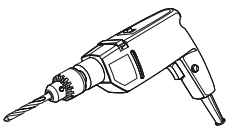
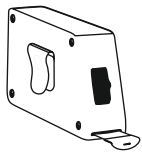
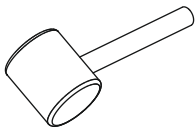
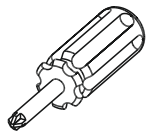
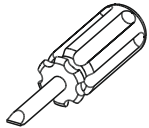
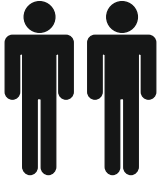
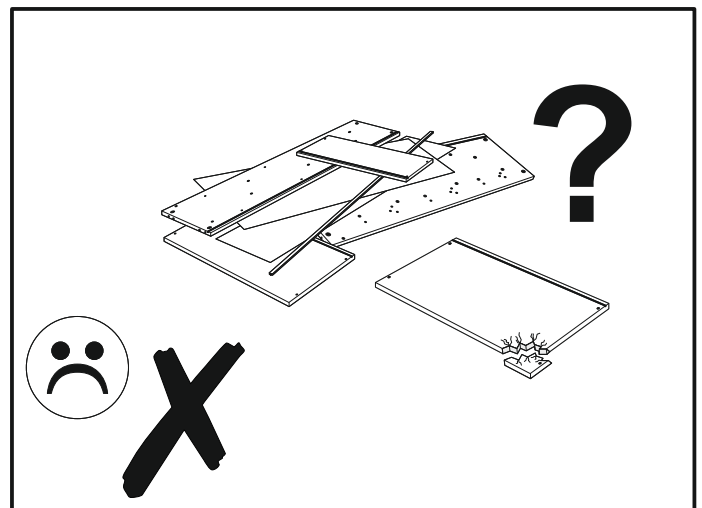
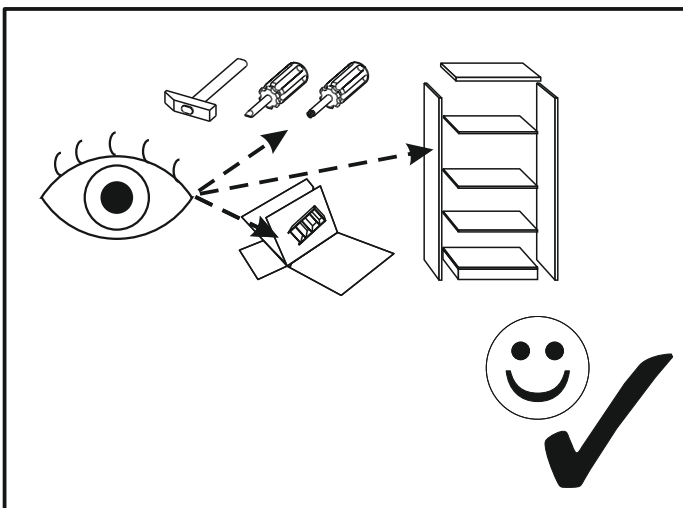
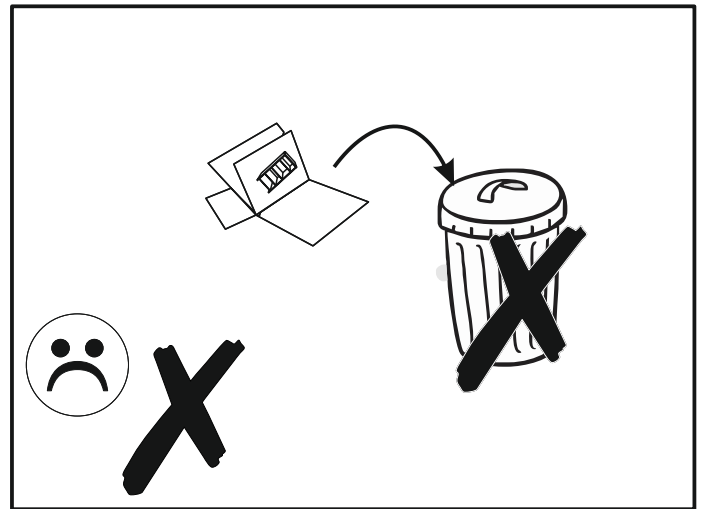
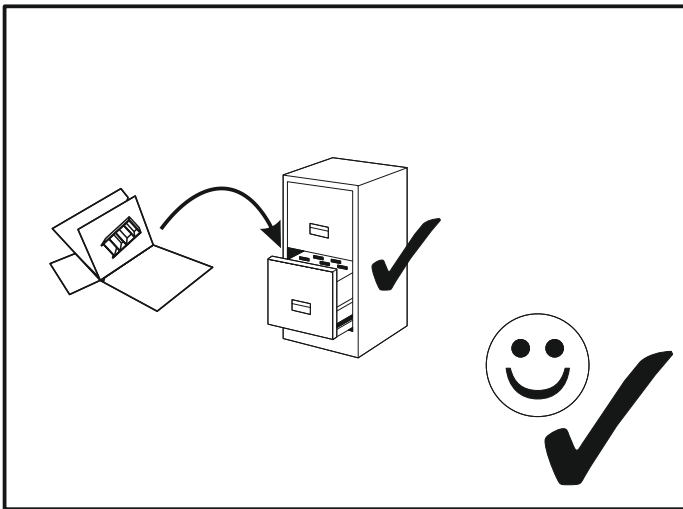
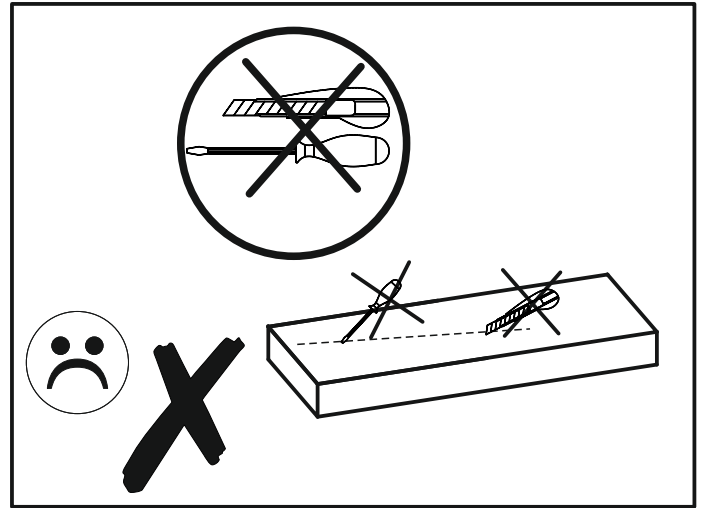
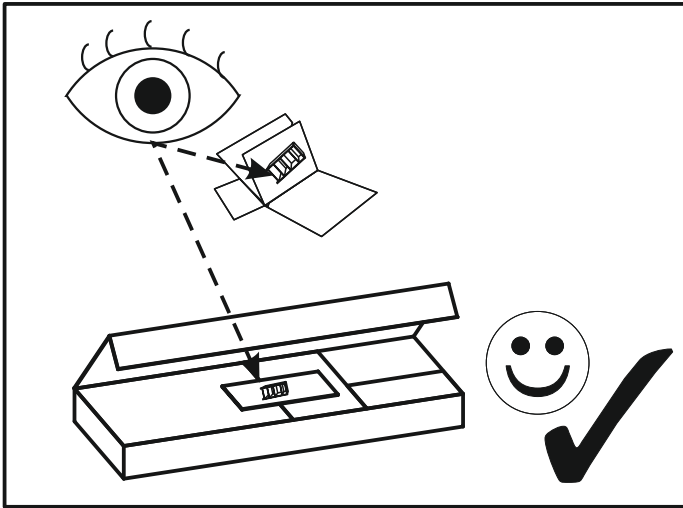


1YYASC62/1PPASC62

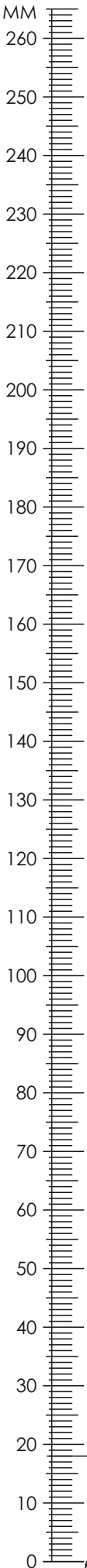



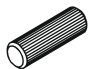


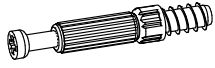

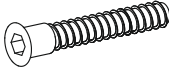
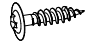
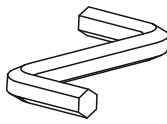
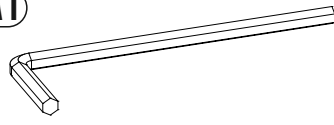


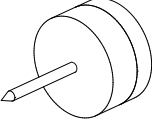
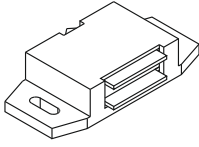
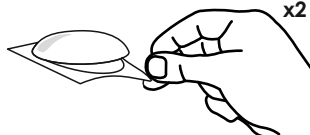
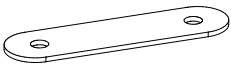
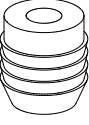
120 min





1YYASC62/1PPASC62



A0 8 x 20 mm x8 	A1 8 x 35 mm x65 	A3 8 x 60 mm x6 
E1 15 x 12 mm x44 	F1 6 x 34 mm x36 	F2 7 x 76 mm x4 
G1 7 x 50 mm x4 	I0 3 x 13 mm x2 	M x1 
M1 x1 	N1 3 x 16 mm x5 	N14 4 x 30 mm x8 
O2 x8 	Q1 x1 	R8 x2 
R10 x1 	S17 x4 	

RL x1

x1

x2

RL1 x4

RL2 x2

RL3 x2

RL4 x3

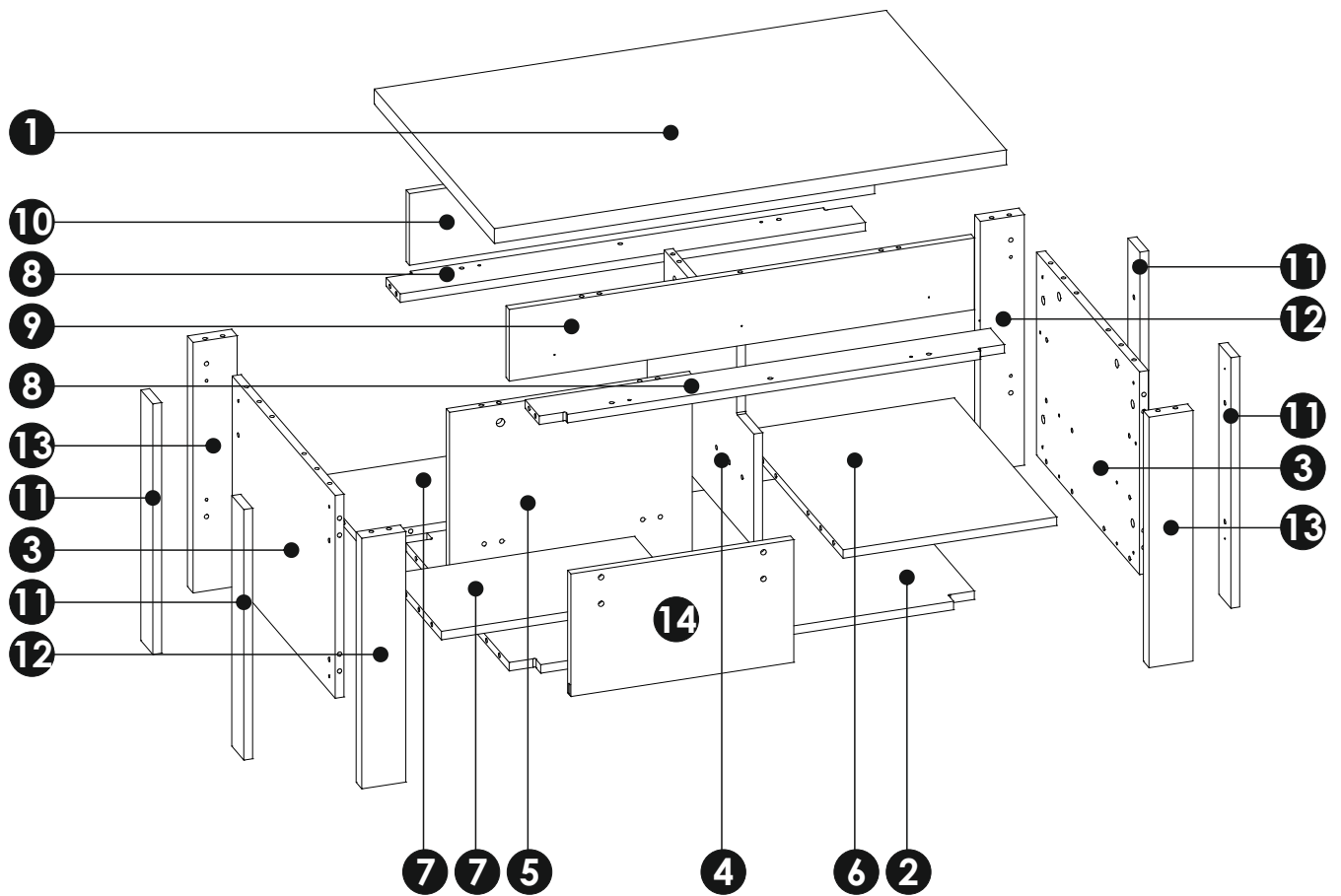
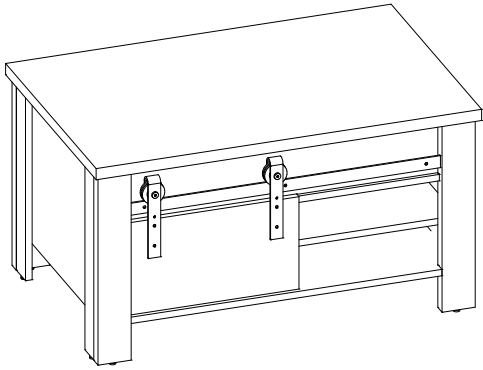
x2

x3

x1

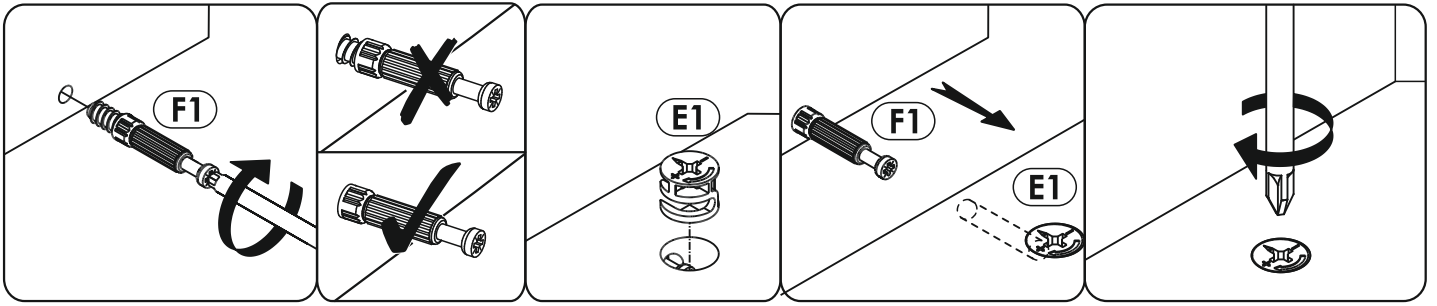
BE SC 07 48 00

1YYASC62/1PPASC62

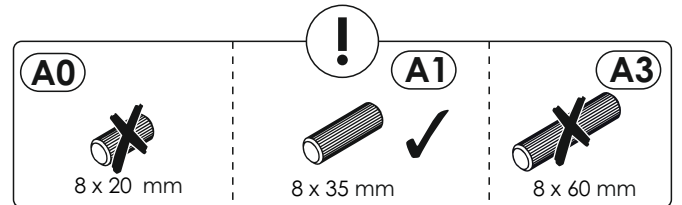
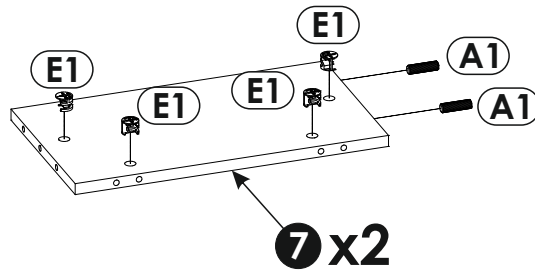
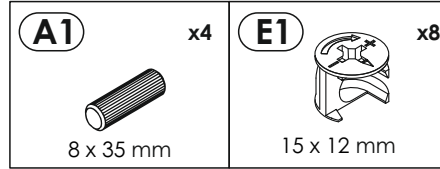
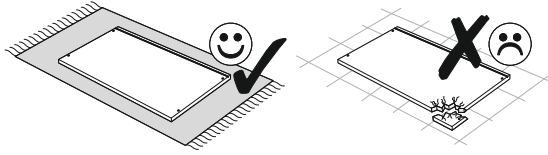


1	930	600	28	x1	2/2
2	845	568	16	x1	2/2
3	382	514	16	x2	1/2
4	365	532	16	x1	1/2
5	365	441	16	x1	1/2
6	388	512	16	x1	1/2
7	441	248	16	x2	1/2

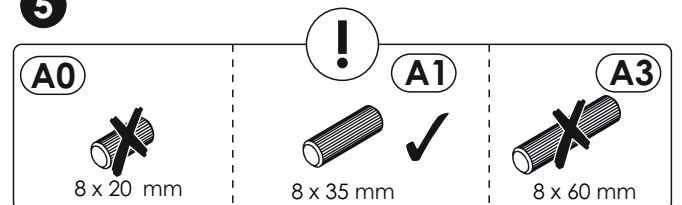
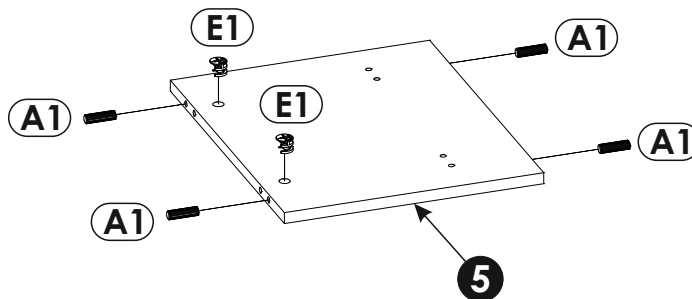
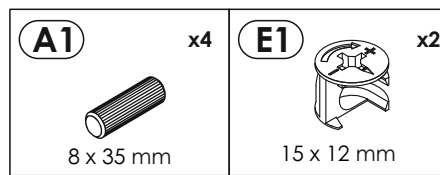
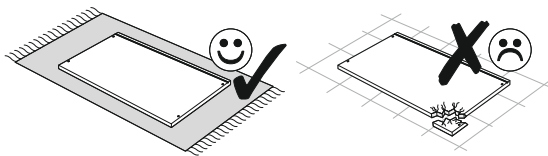
8	845	80	16	x2	2/2
9	845	135	16	x1	2/2
10	845	135	16	x1	2/2
11	472	60	16	x4	1/2
12	472	80	28	x2	1/2
13	472	80	28	x2	1/2
14	405	231	16	x1	1/2

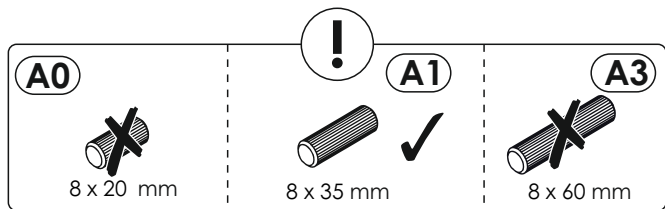
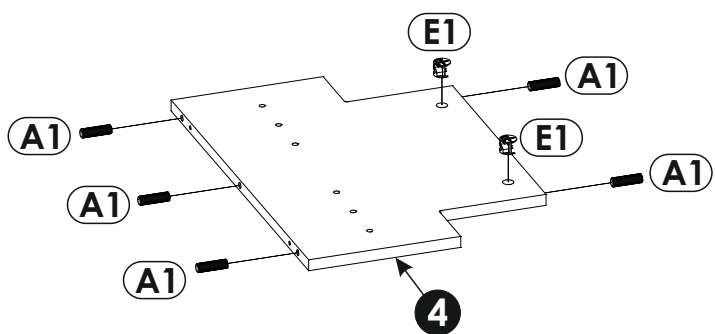
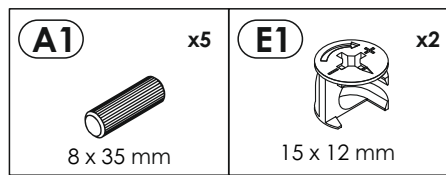
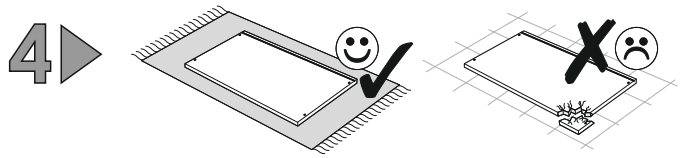
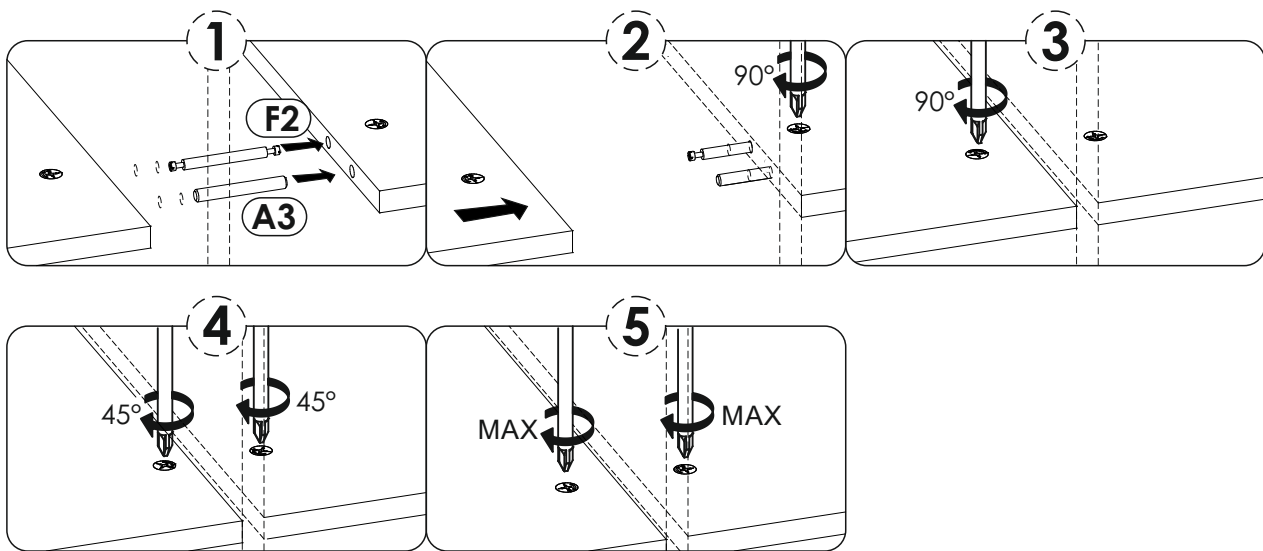
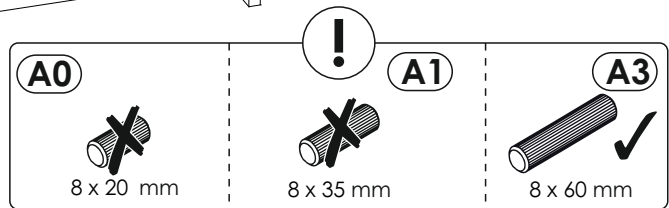
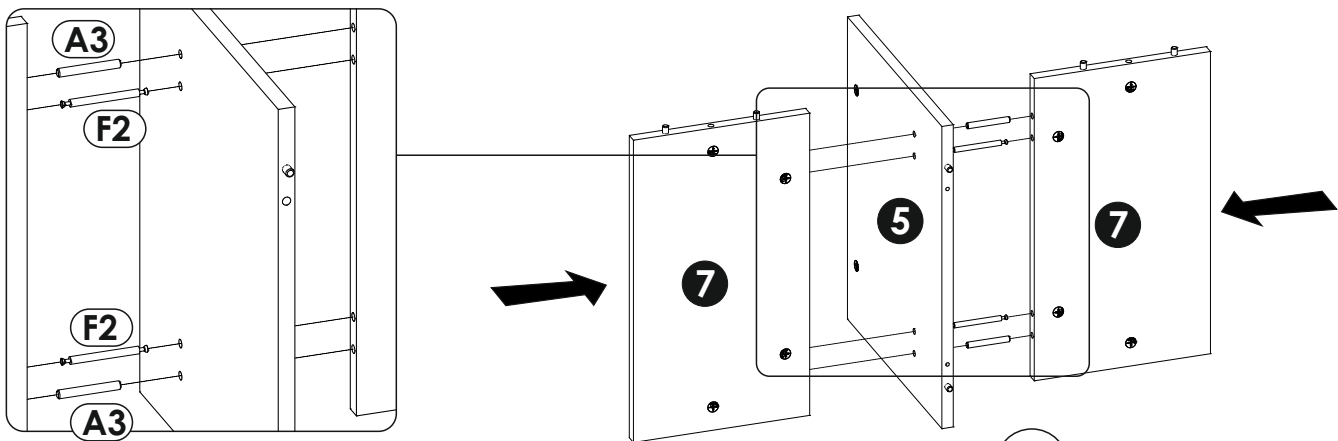
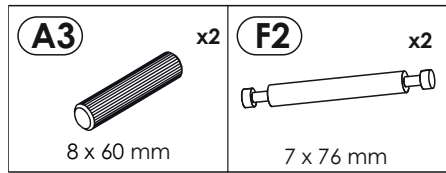
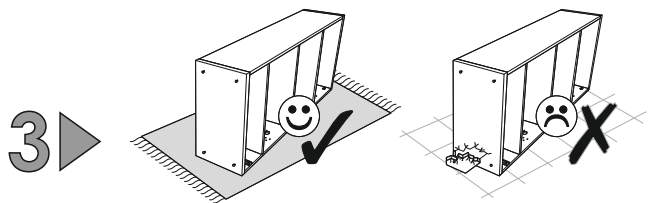


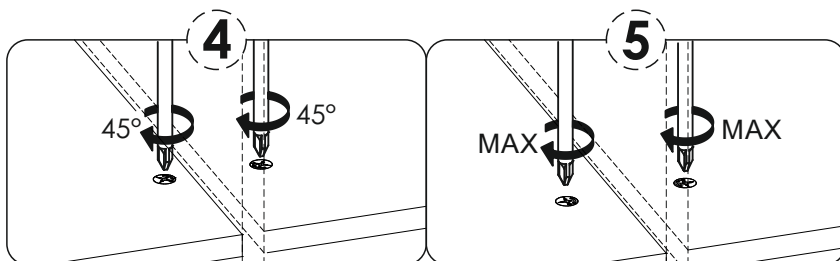
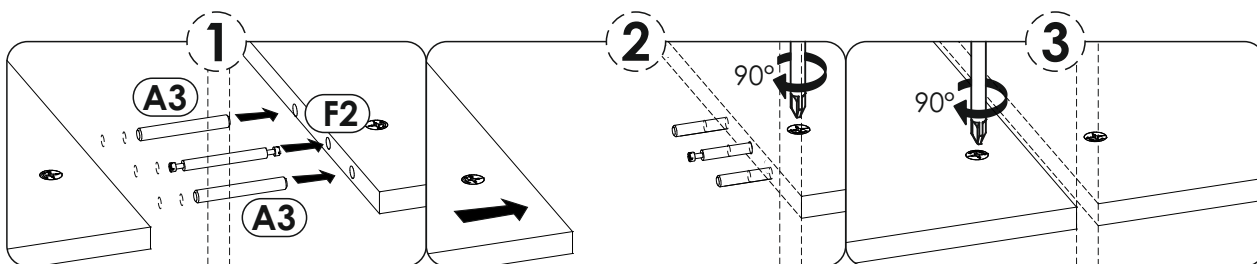
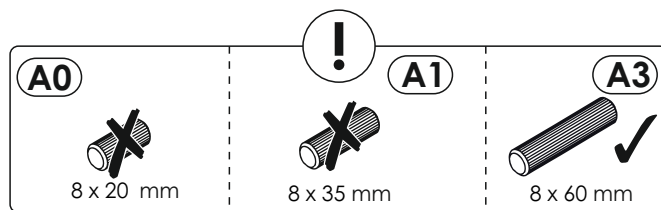
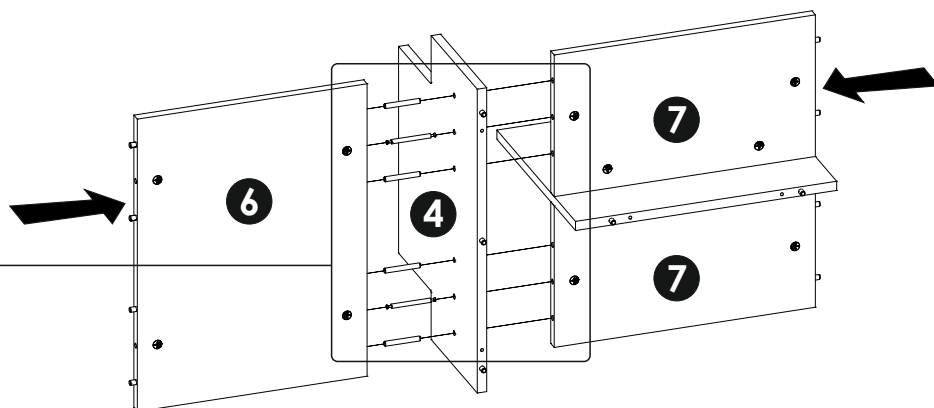
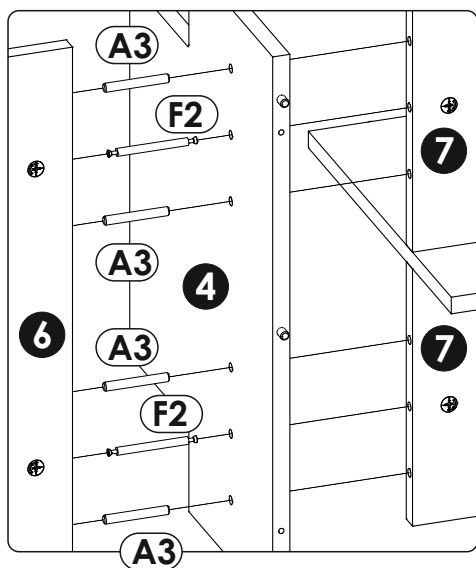
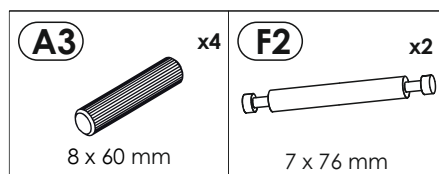
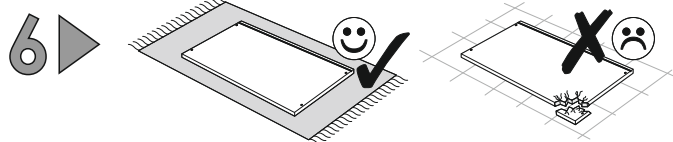
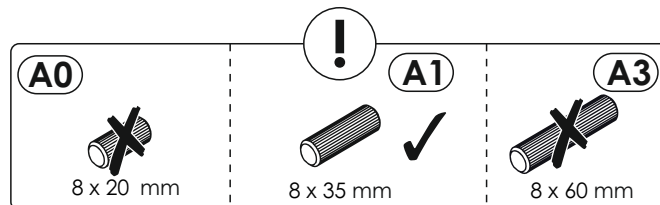
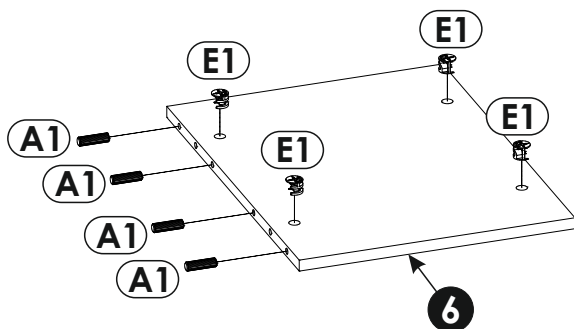
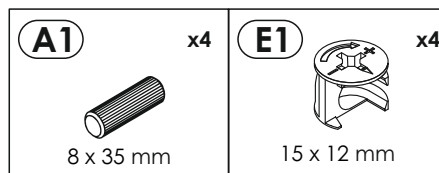
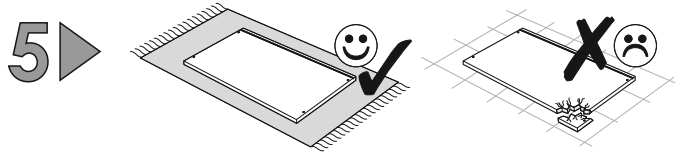
1 ▶



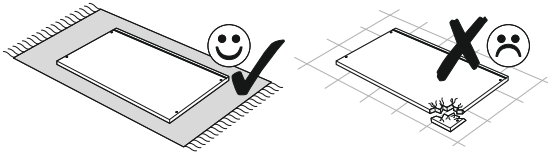
2 ▶



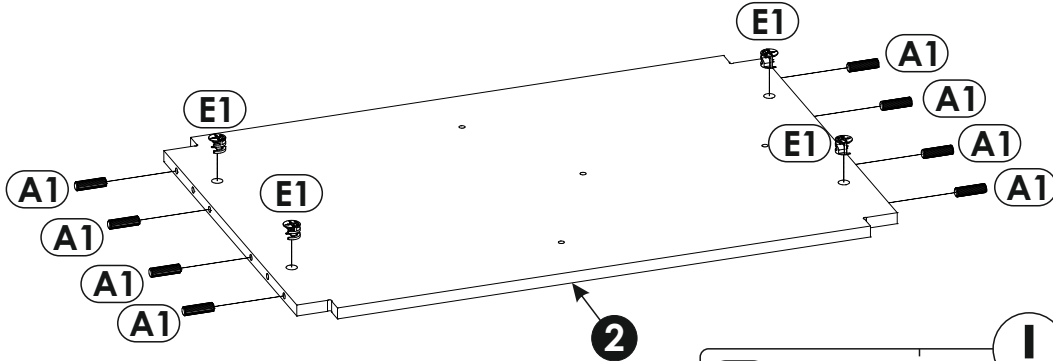




7

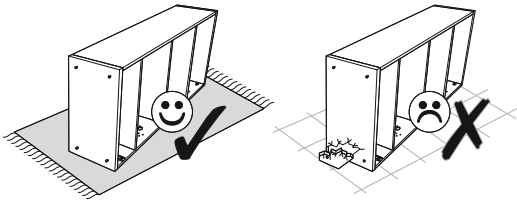


A1	x8	E1	x4
8 x 35 mm		15 x 12 mm	

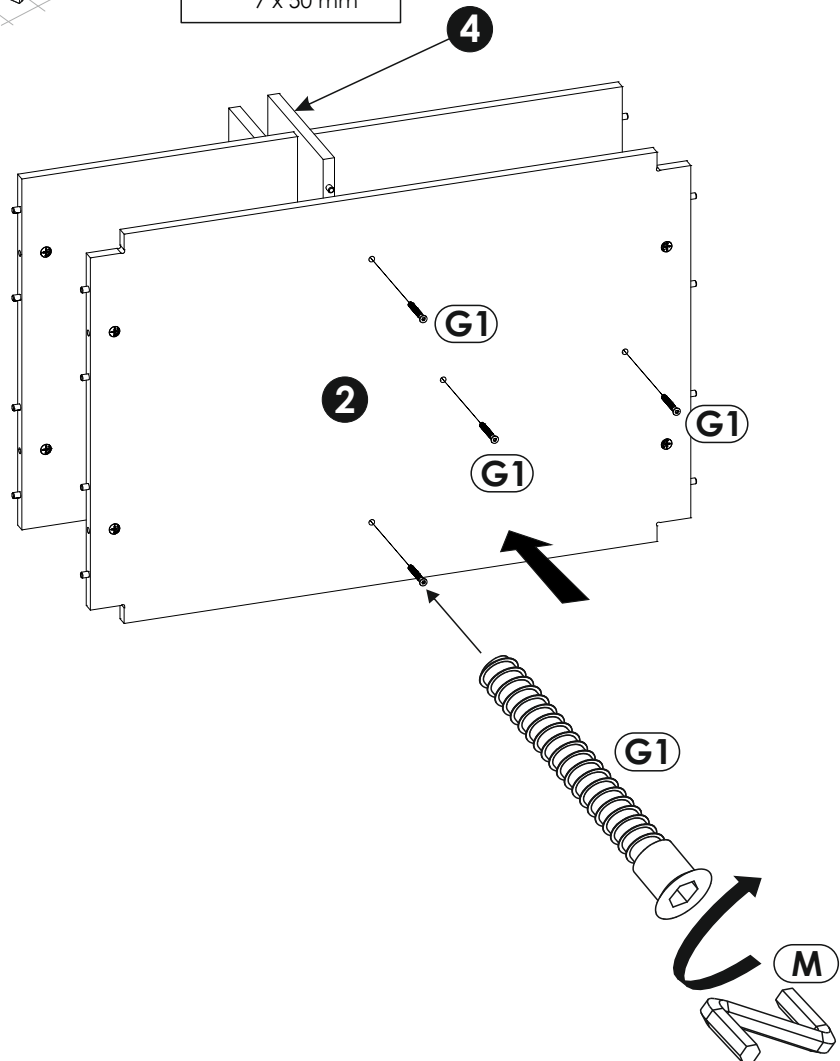
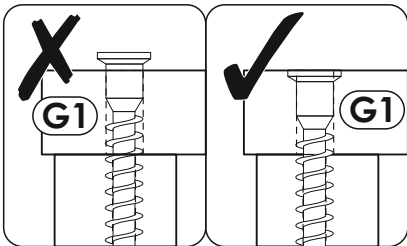


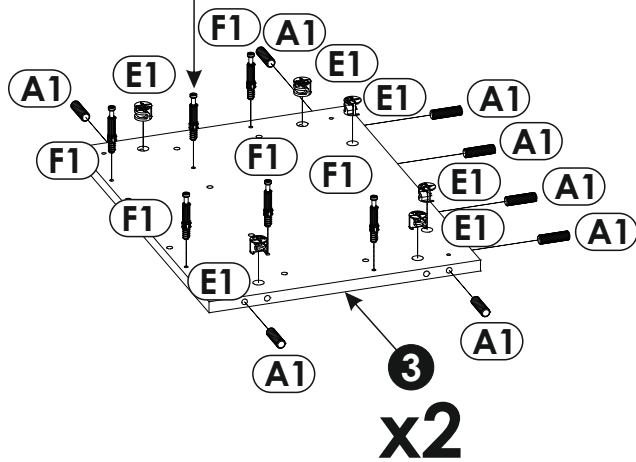
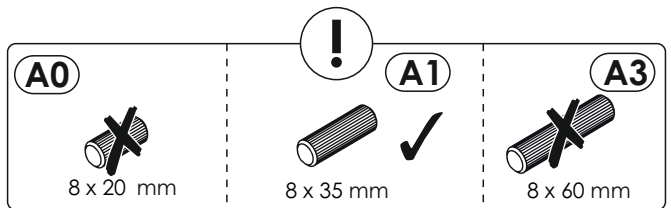
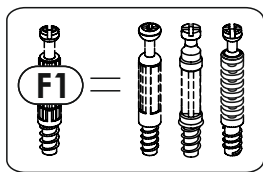
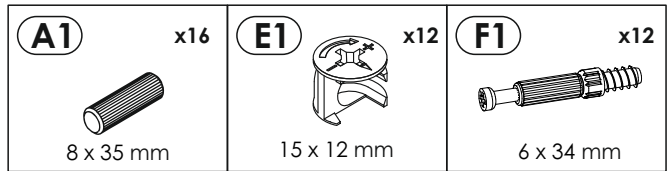
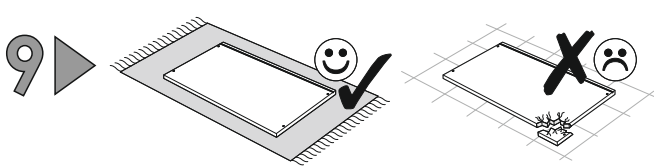
A0	!	A1	A3
8 x 20 mm		8 x 35 mm	8 x 60 mm

8

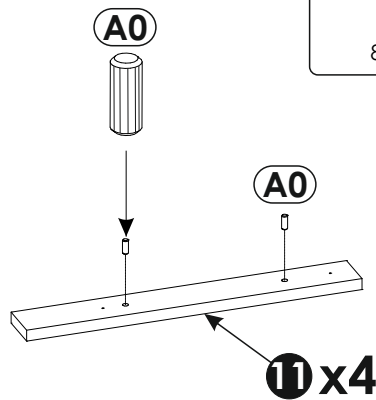
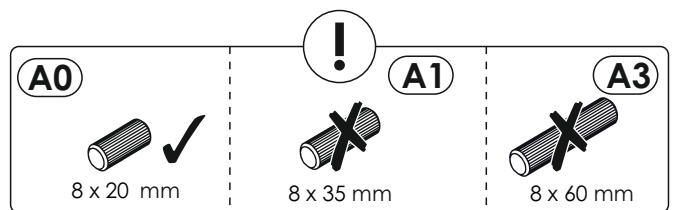
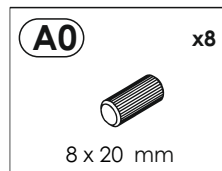
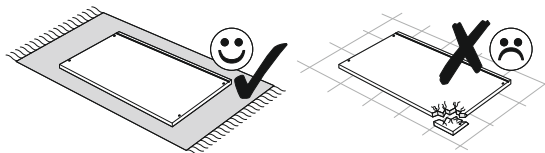


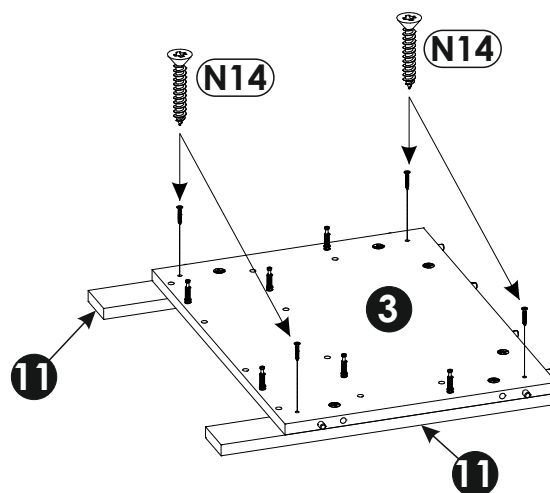
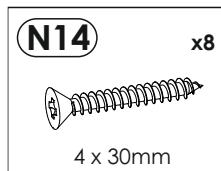
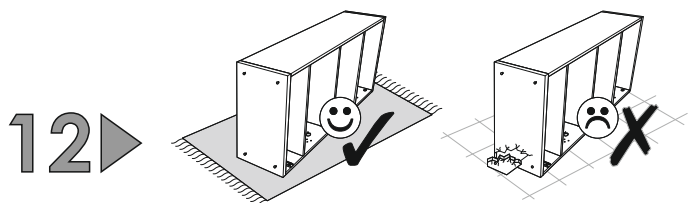
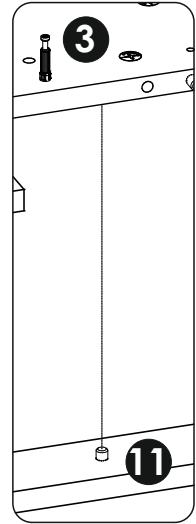
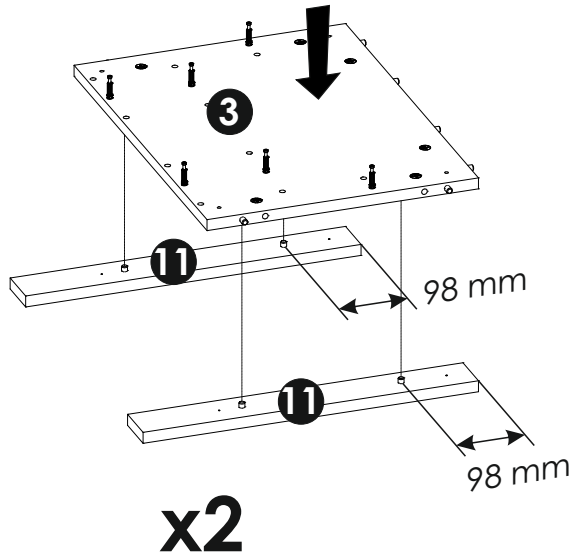
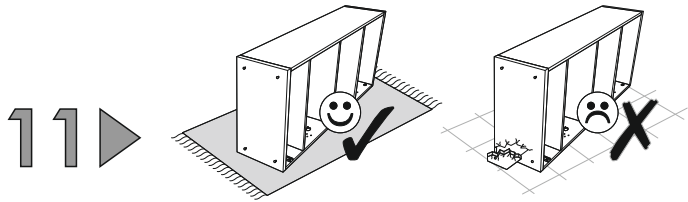
G1	x4
7 x 50 mm	



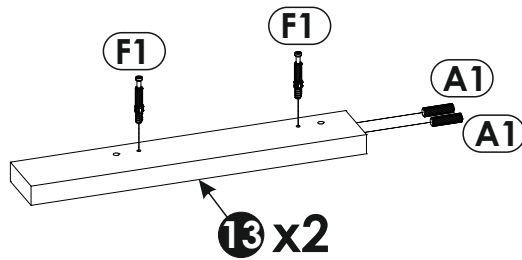
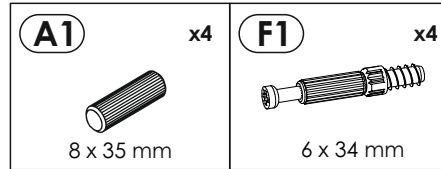
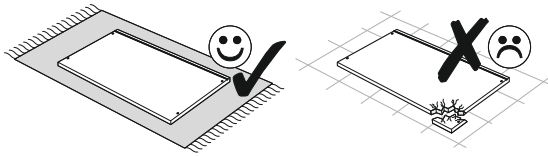


10 ▶

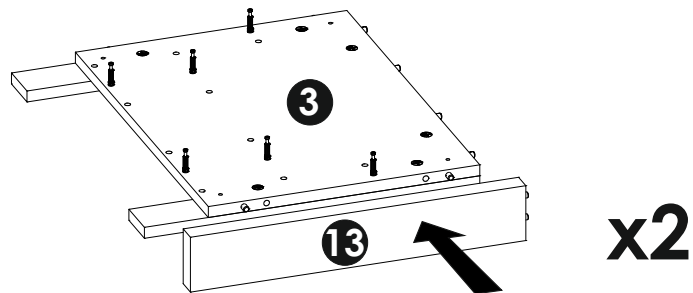
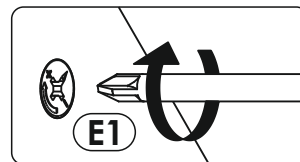
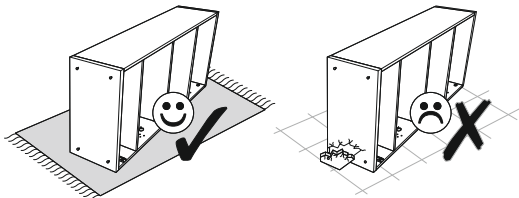




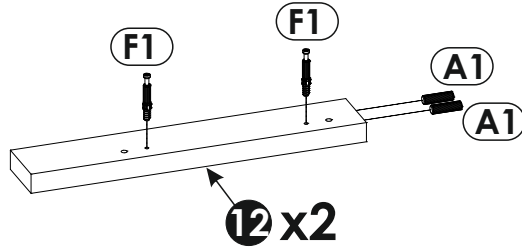
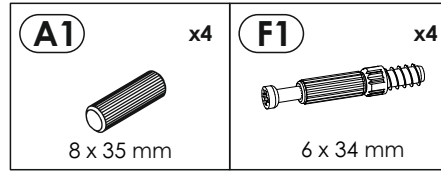
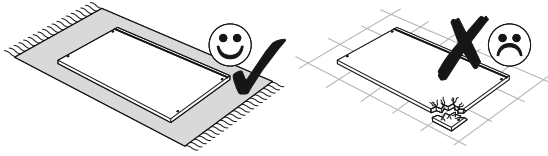
13▶



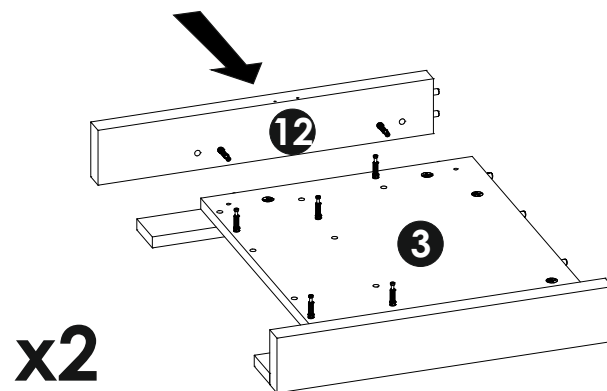
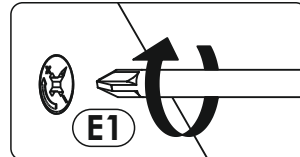
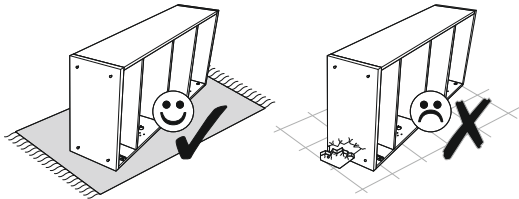
14▶



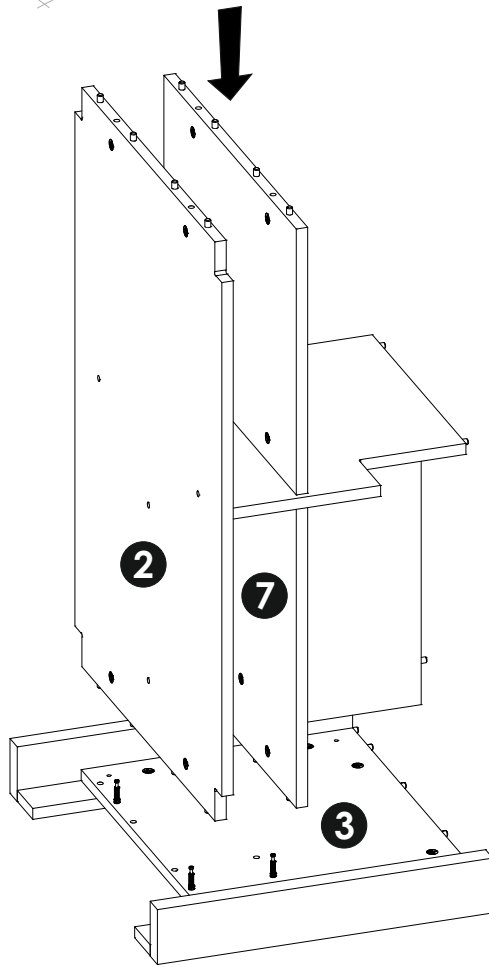
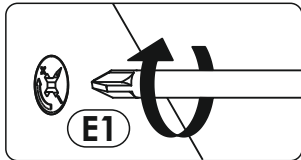
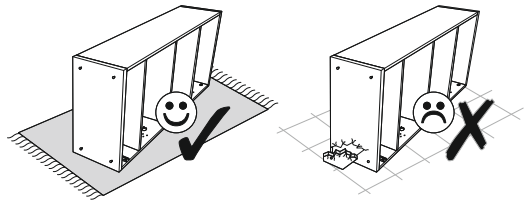
15▶



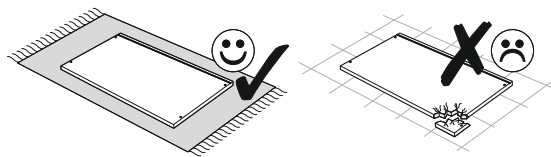
16▶



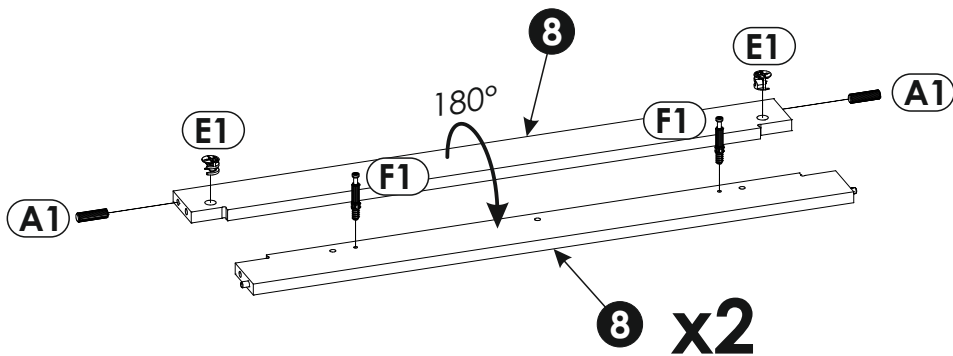
17 ▶



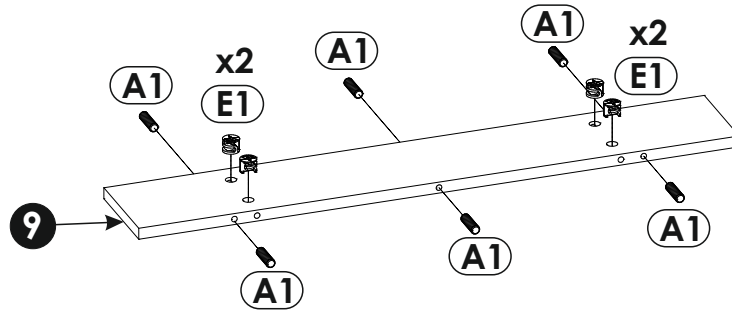
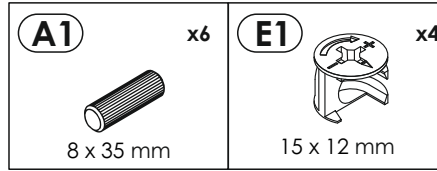
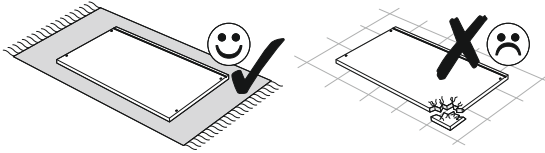
18 ▶



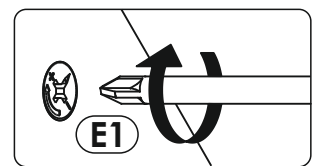
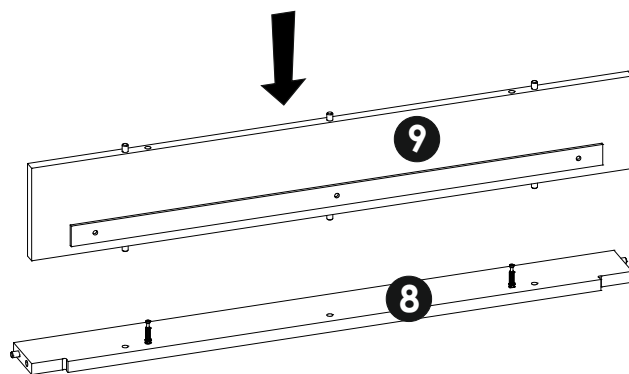
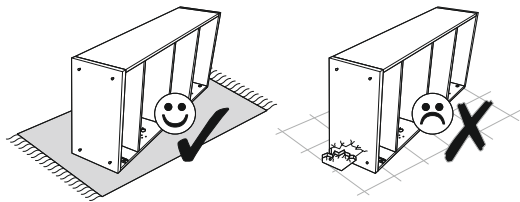
<p>A1 x4</p>  <p>8 x 35 mm</p>	<p>E1 x4</p>  <p>15 x 12 mm</p>	<p>F1 x4</p>  <p>6 x 34 mm</p>
--	---	--

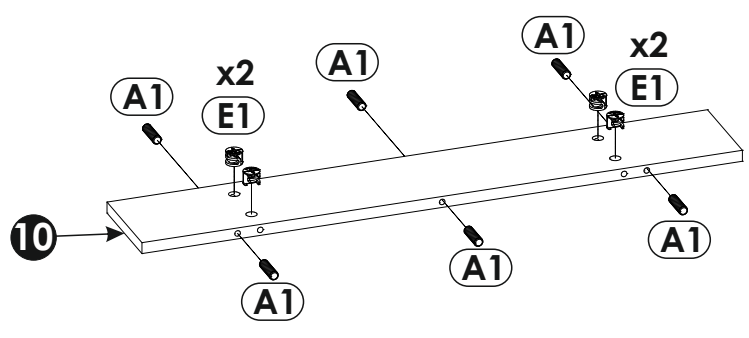
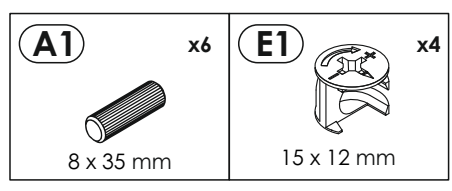
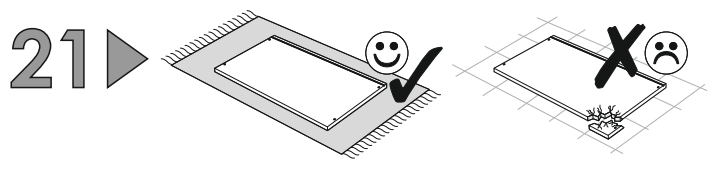
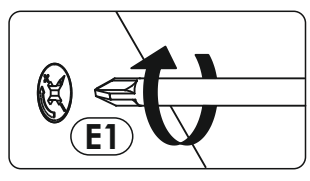
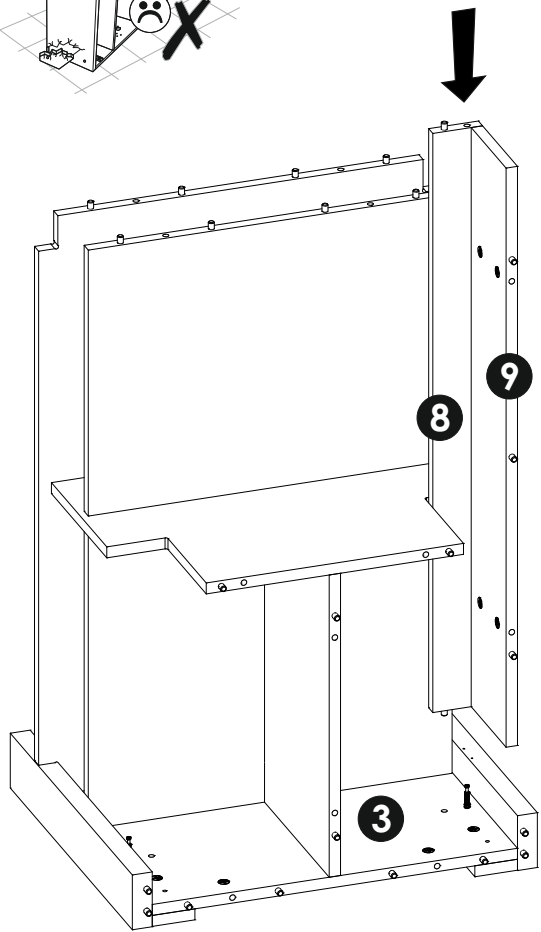
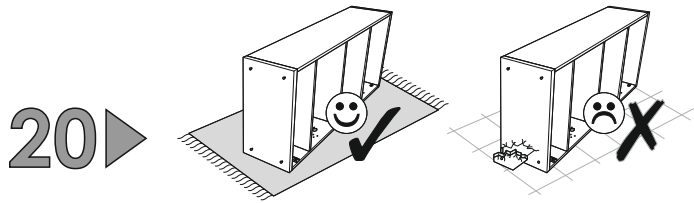


19 ▶

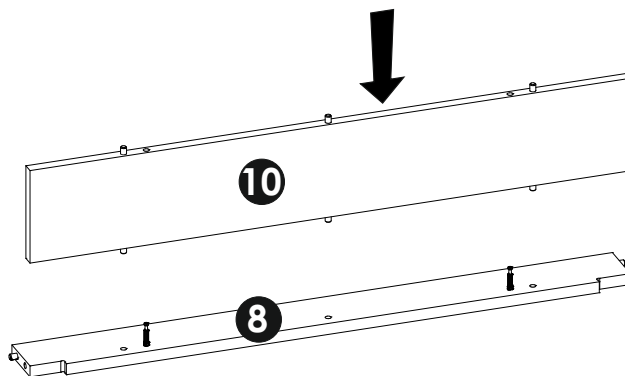
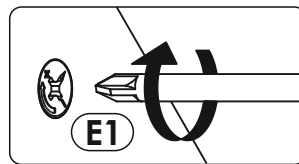
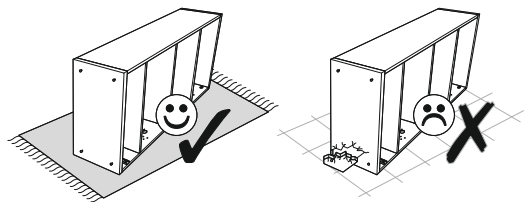


19 ▶

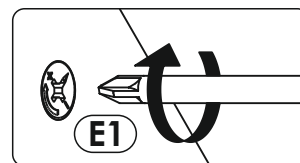
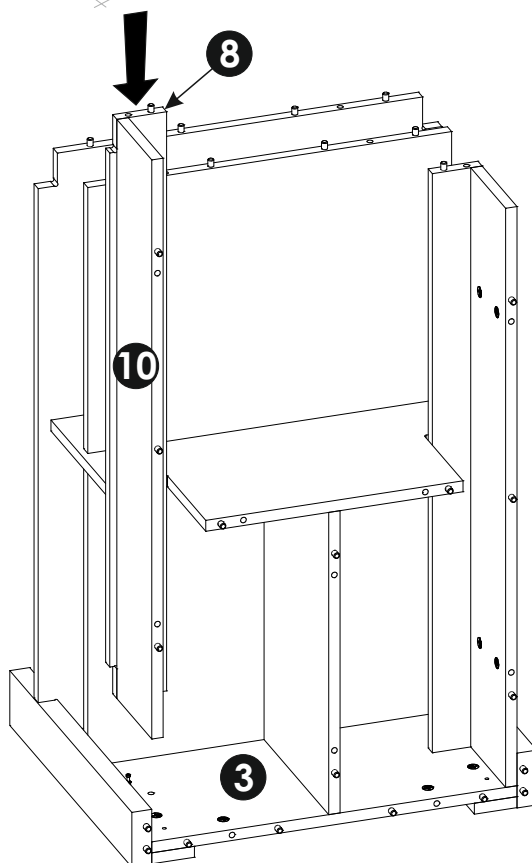
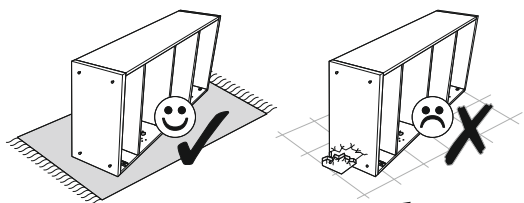




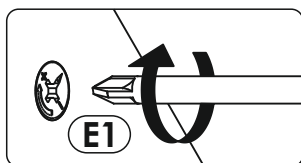
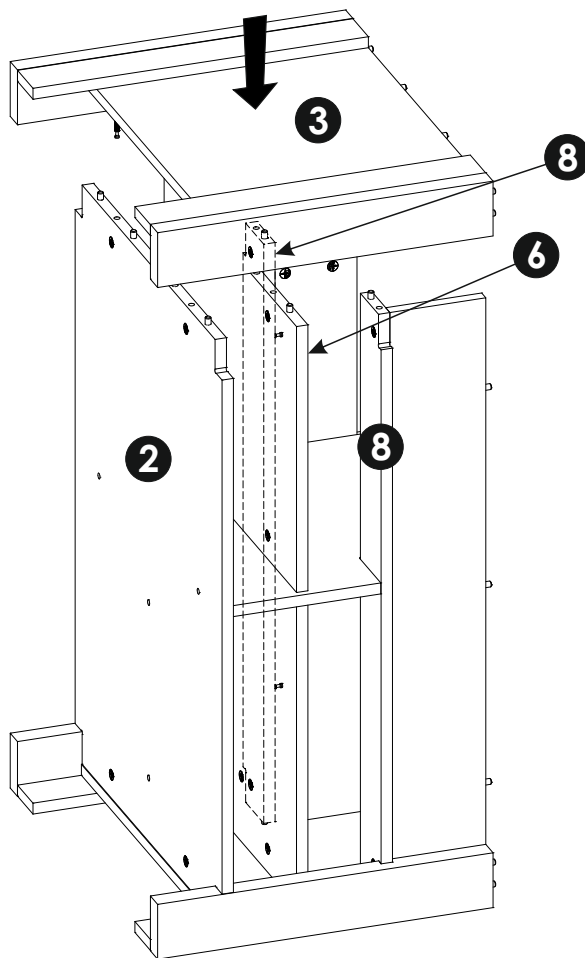
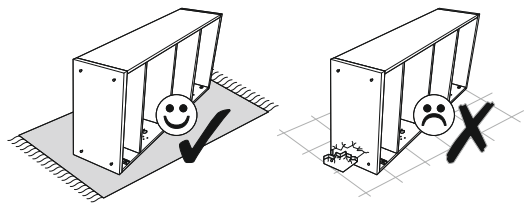
22 ▶



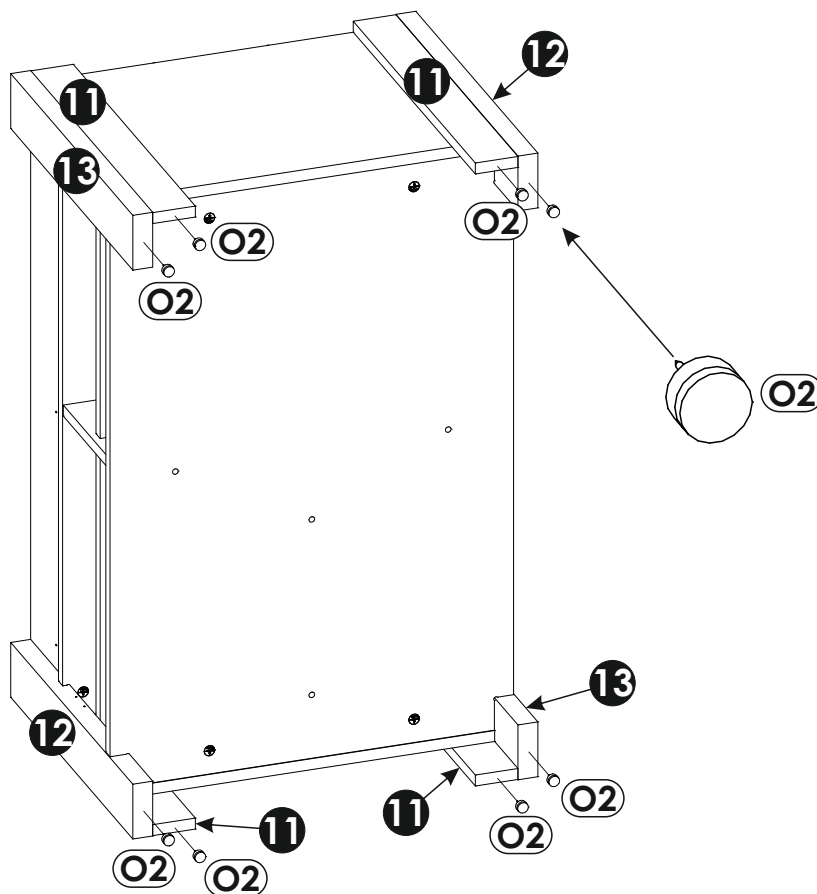
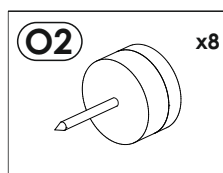
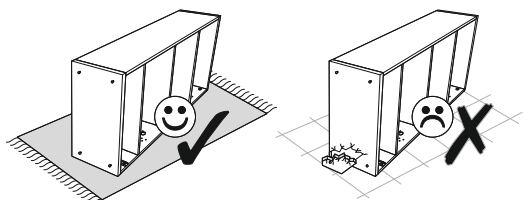
23 ▶



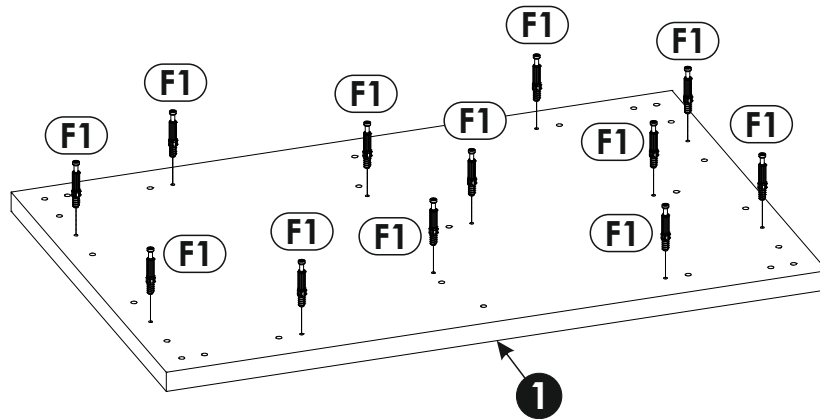
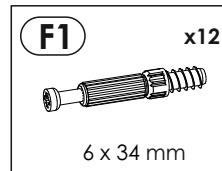
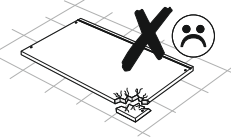
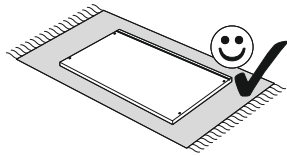
24 ▶



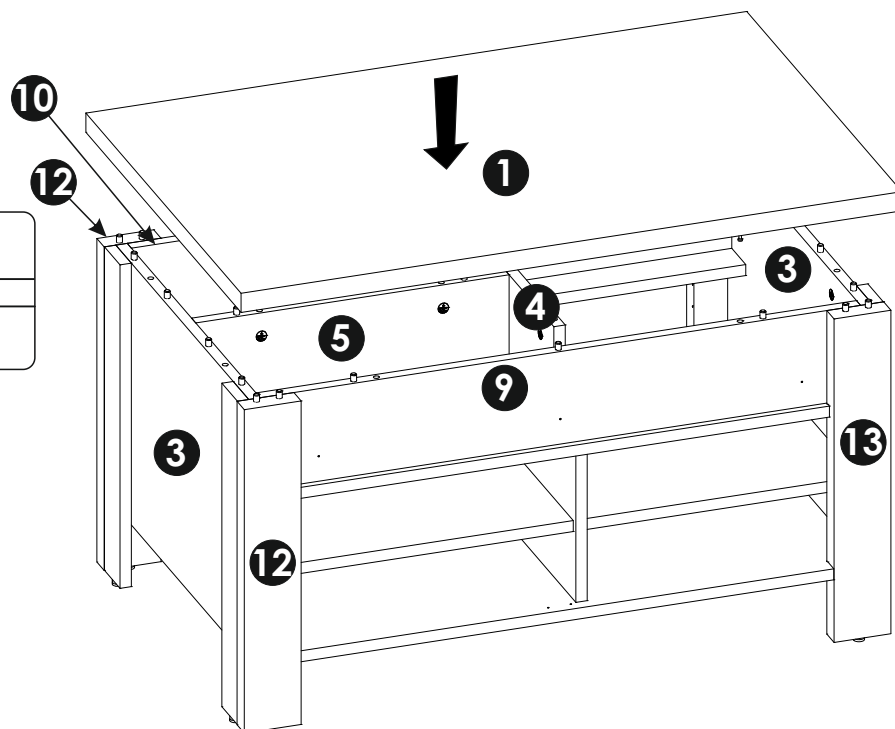
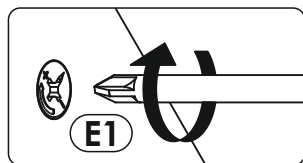
25 ▶



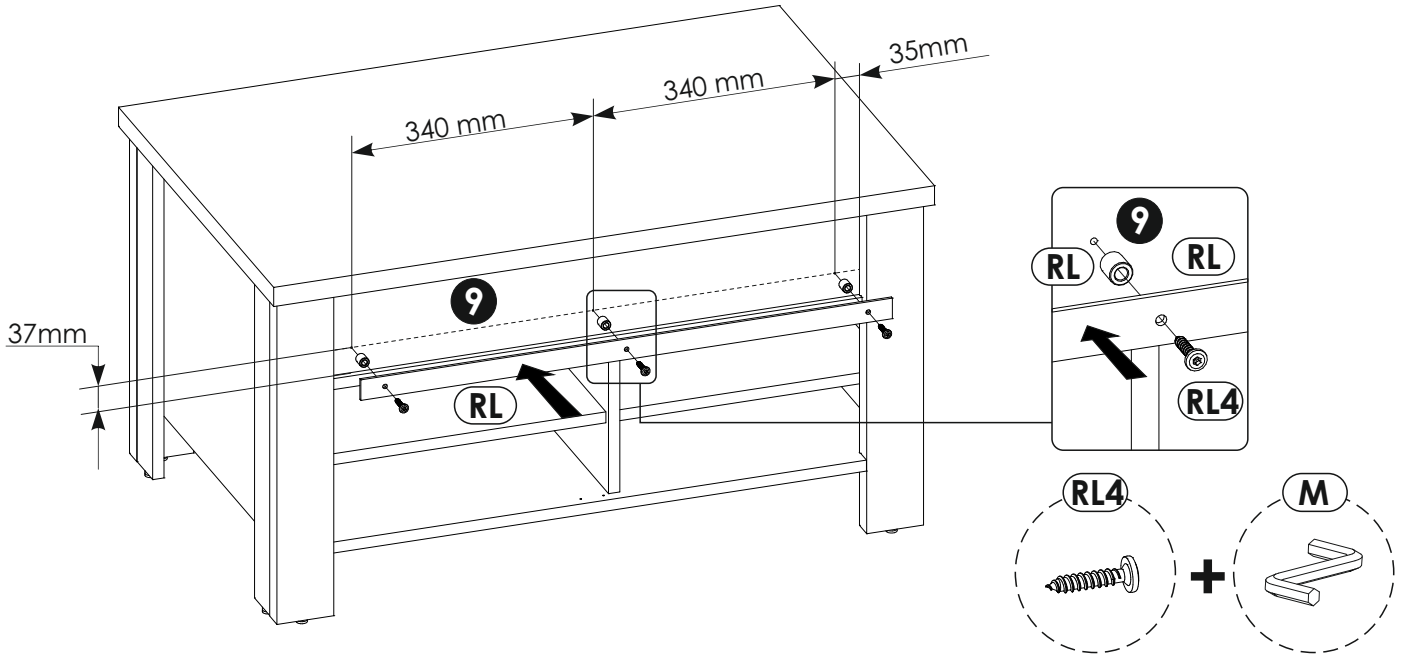
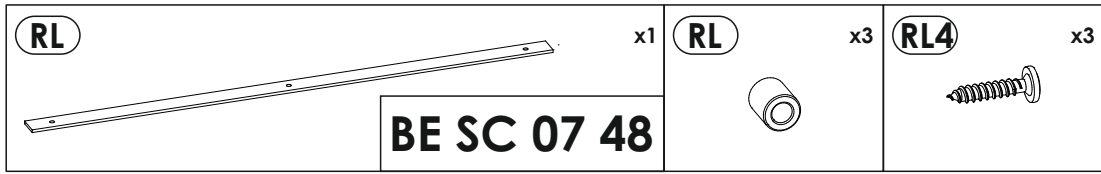
26▶▶



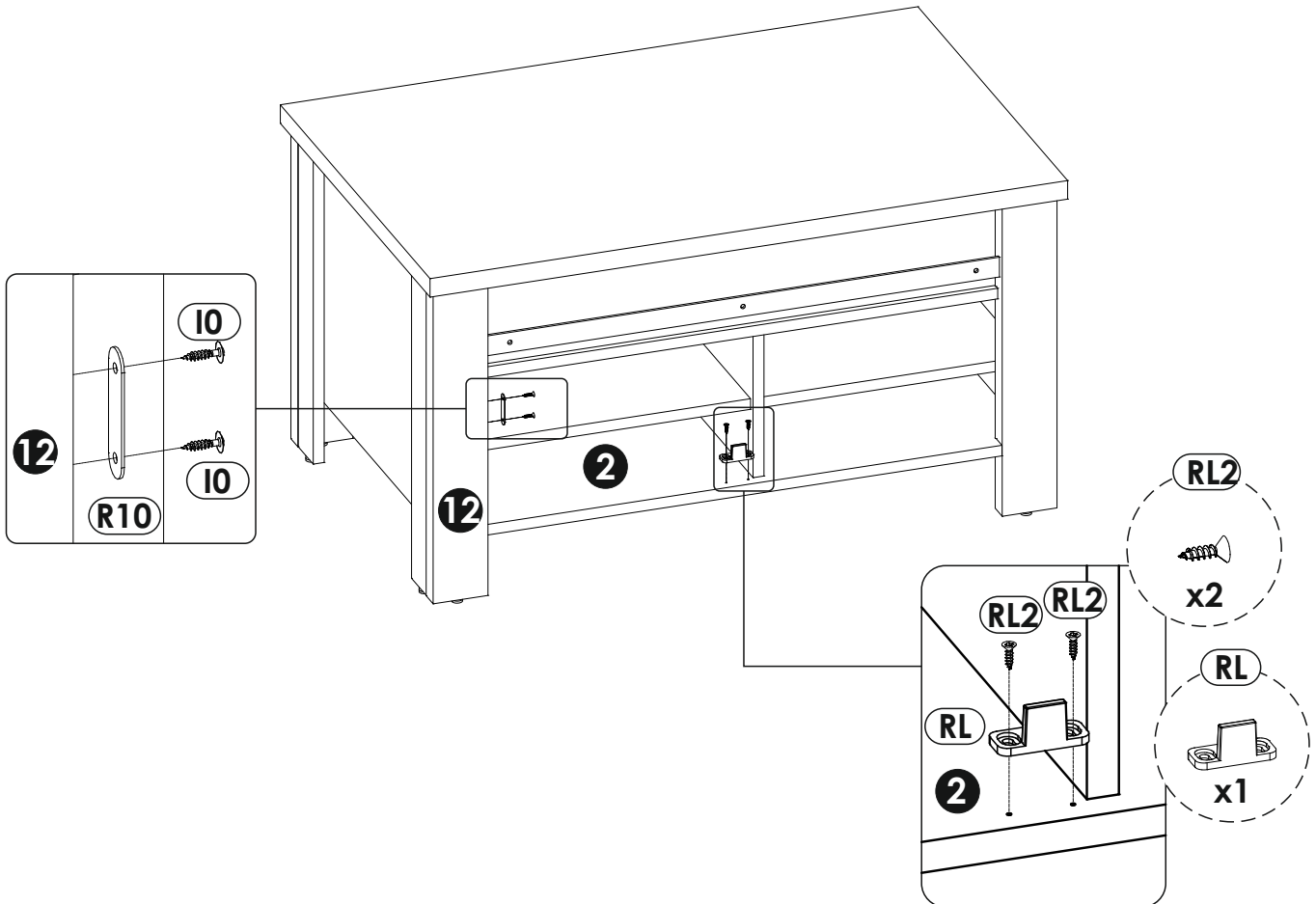
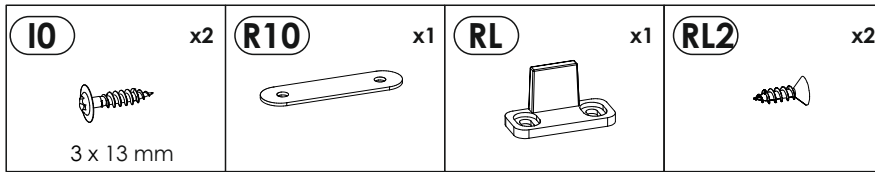
27▶▶



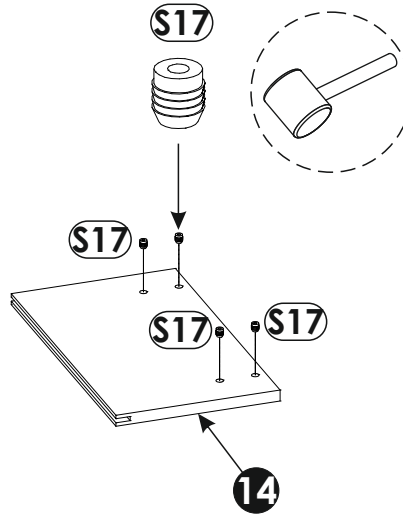
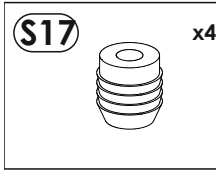
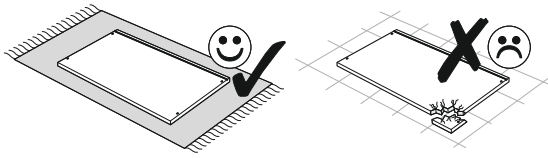
28 ▶



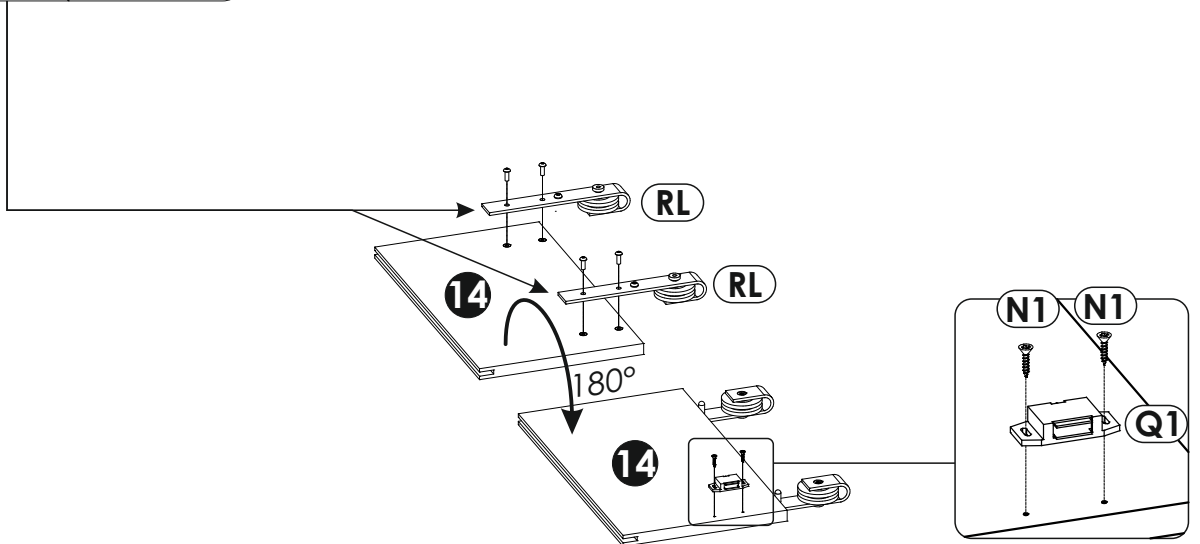
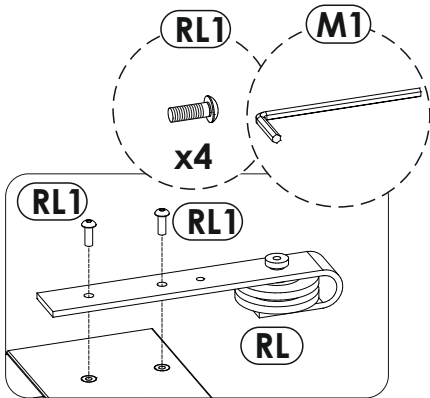
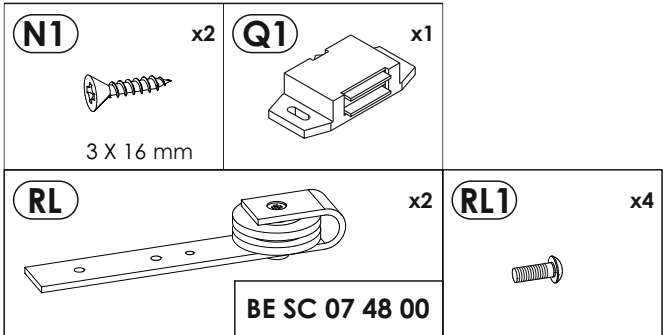
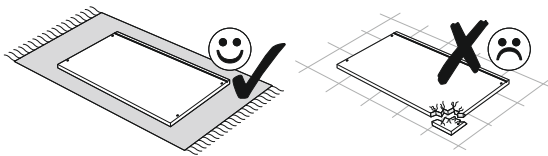
29 ▶



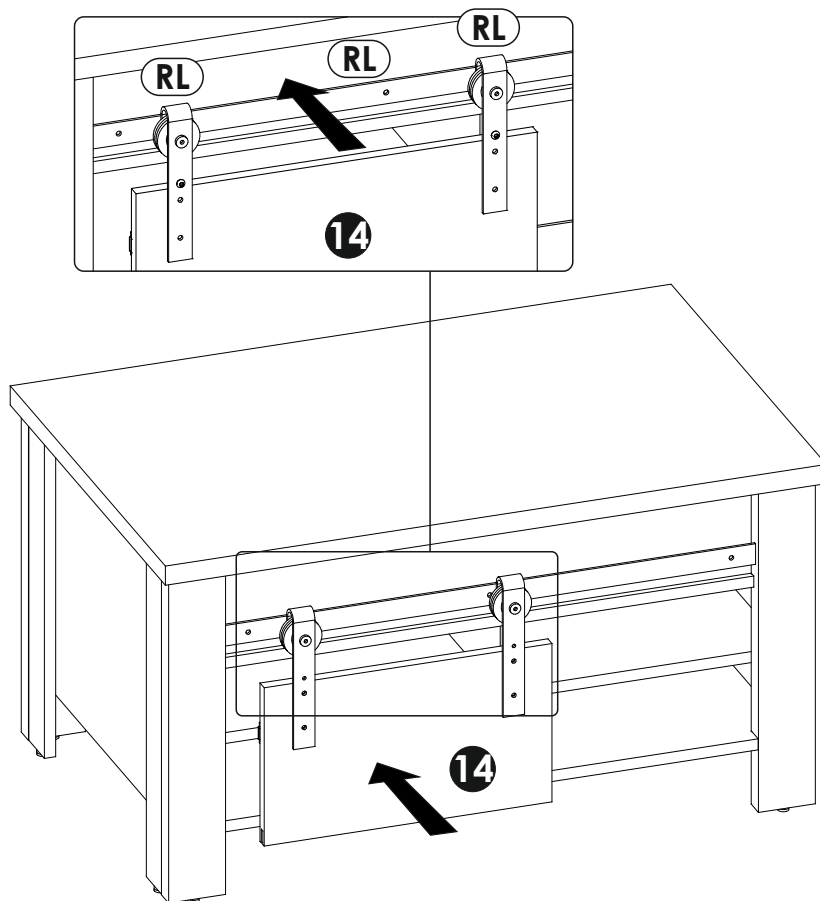
30 ▶



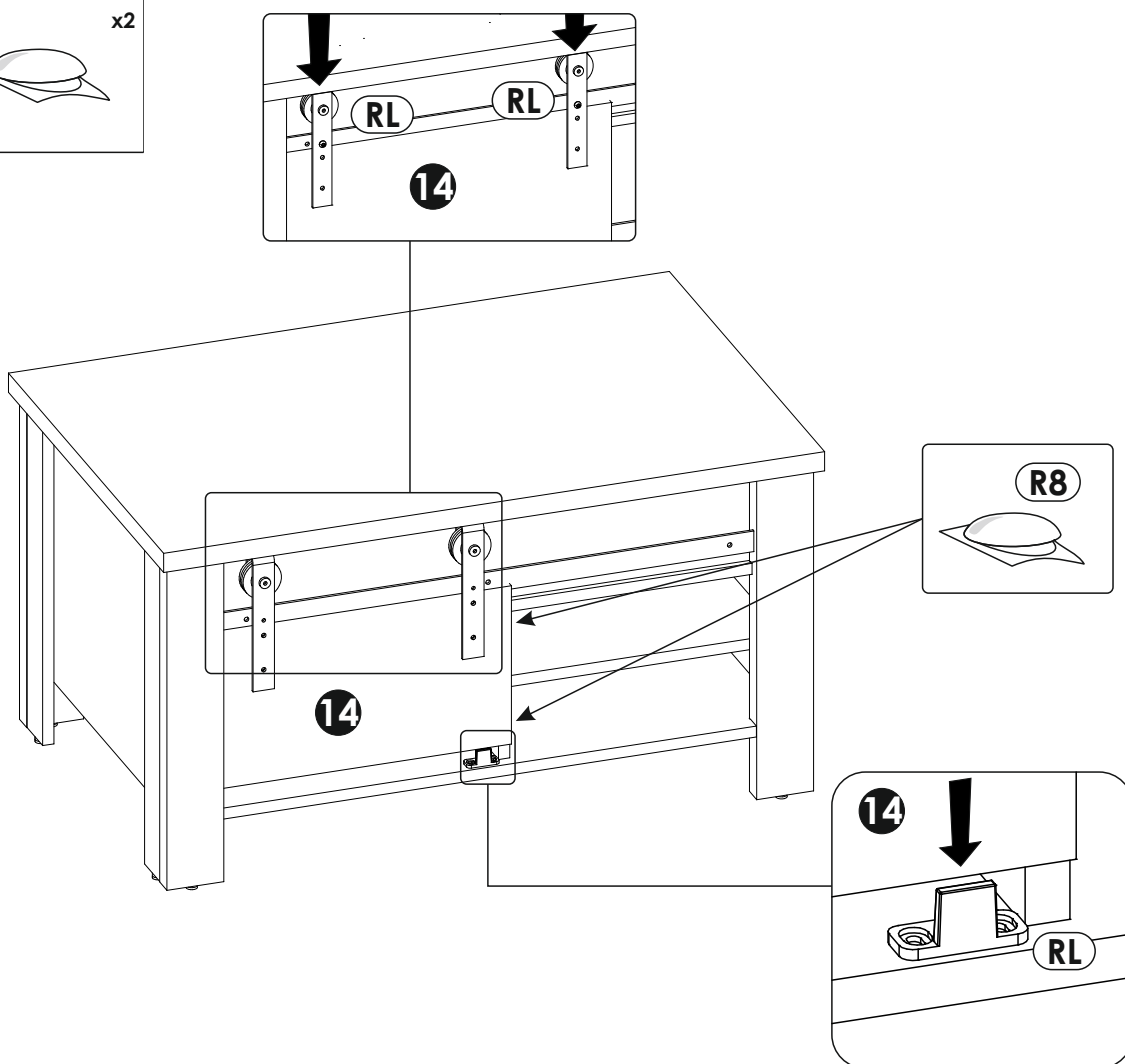
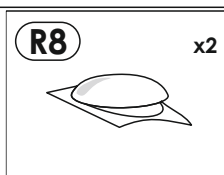
31 ▶



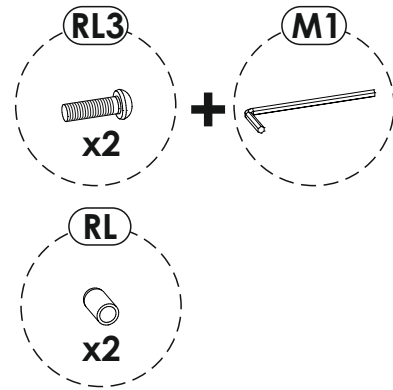
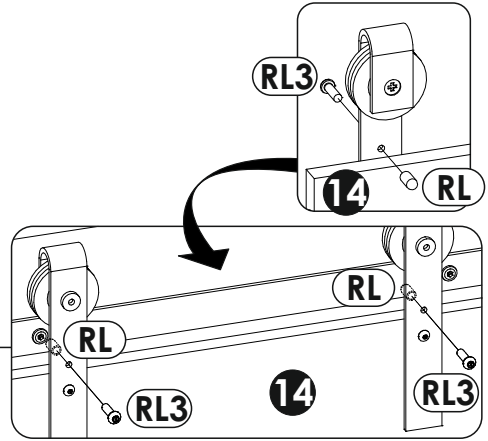
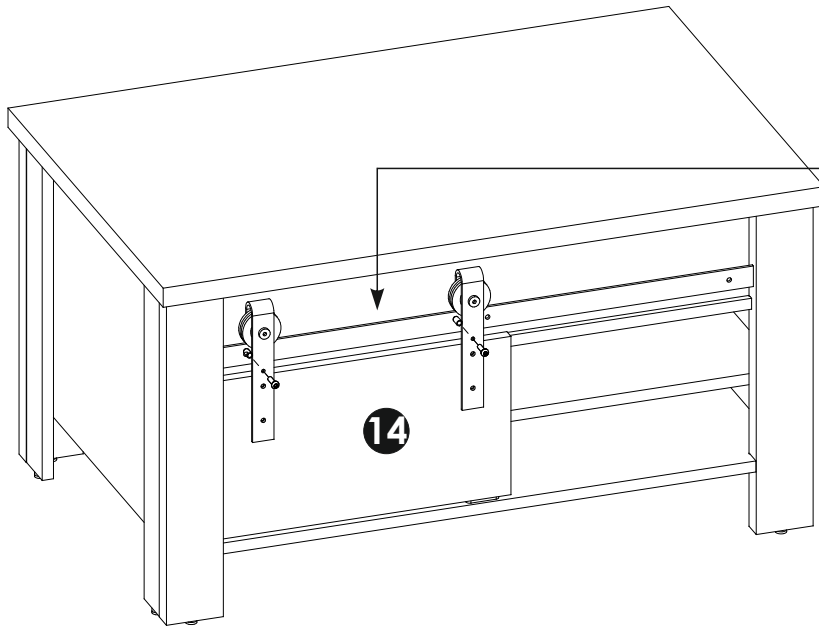
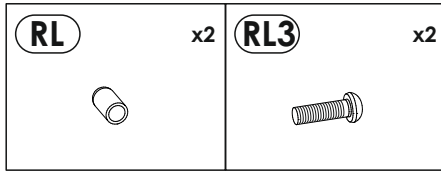
32▶



33▶



34 ▶



35 ▶



max
20kg

max
10kg

max
10kg

max
10kg

